

MAXOR Specification

Model	Unit	MAXOR 3030	MAXOR 4030	MAXOR 5030	MAXOR 6030	MAXOR 8030	MAXOR 10030	MAXOR 6040
X-Axis	mm	3,000 118"	4,000 157"	5,000 197"	6,000 236"	8,000 315"	10,000 393"	6,000 236"
Y-Axis	mm	3,000 118"						4,000
Z-Axis	mm	1,000 39.3"						
Spindle Nose to Work Table	mm	200 ~ 1,200 7.8 - 47.2"						
Bridge Width	mm	3,800 149.6"						4,800
Work Table Length	mm	3,000 118"	4,000 157"	5,000 197"	6,000 236"	8,000 315"	10,000 393"	6,000 236"
Work Table Width	mm	2,800 110"						3,800
Work Table Max Load	Kg/m ²	2,500 98.4"						
Spindle Motor (Cont./30 min)	Kw(Hp)	22 / 26 (30 / 35)						
Spindle Speed	rpm	10~4,000						
Spindle Taper		BT#50 (7 / 24)						
Tool Changer	No.	32						32 (60 Option)
Tool Max. Diameter	mm	127 / 215						
Model	Unit	MAXOR 8040	MAXOR 10040	MAXOR 6050	MAXOR 8050	MAXOR 10050	MAXOR 14050	
X-Axis	mm	8,000 315"	10,000 394"	6,000 236"	8,000 315"	10,000 394"	14,000 551"	
Y-Axis	mm	4,000 157"	4,000 157"	5,000 196.8				
Z-Axis	mm	1,000 39.3"						
Spindle Nose to Work Table	mm	200 ~ 1,200 7.8 - 47.2"						
Bridge Width	mm	4,800 189"	5,800 228"					
Work Table Length	mm	8,000 315"	10,000 394"	6,000 236"	8,000 315"	10,000 394"	14,000 551"	
Work Table Width	mm	3,800 149.6"		4,800 189"				
Work Table Max Load	Kg/m ²	2,500 98.4"						
Spindle Motor (Cont./30 min)	Kw(Hp)	22 / 26 (30 / 35)						
Spindle Speed	rpm	10 ~ 4,000						
Spindle Taper		BT # 50 (7 / 24)						
Tool Changer	No.	32 (60 option)						
Tool Max. Diameter	mm	127 / 215						

Options

Spindle Upgrades

Spindle	Electronic Spindle
6000 rpm	12000 rpm
8000 rpm	15000 rpm
10000 rpm	18000 rpm
	20000 rpm

Other Upgrades

Linear Scale	Thermal Control System
Spindle CTS	
Automatic Doors	
GearBox Type Spindle	
5-Axis Milling Head	

CINCINNATI MACHINES

SMART Series

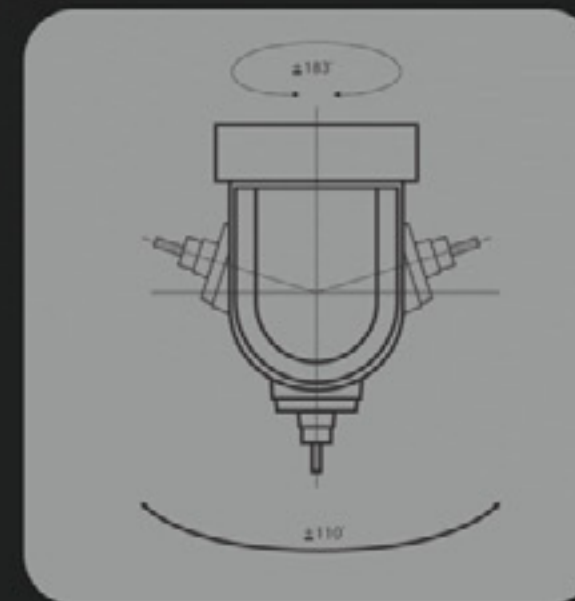


Revolutionary
CAD
Design

MAXOR



Gantry-Type 3 & 5 Axis High-Speed Milling Machine

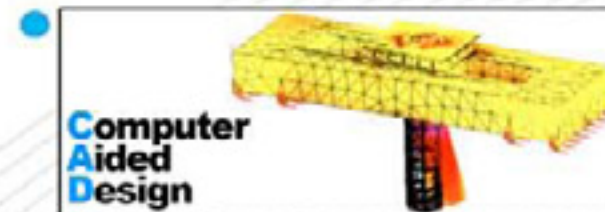


SMART SERIES

MAXOR
IS

MAXOR
3&5 Axis High-Speed
Gantry-Type
Milling Machine

- ***INNOVATION**
***TECHNOLOGY**
***RIGIDITY**
***SIMPLICITY**
***PRODUCTIVITY**



• High Speed Spindle
Up to 20,000 rpm



Box in Box Design Structure



• NC Controller System
Fanuc CNC is standard



5-Axis & Index
Heads & Head
Changers



AUTOMOTIVE



PARTS MACHINING



MOLD MACHINING

It's time to
think
SMART



AEROSPACE